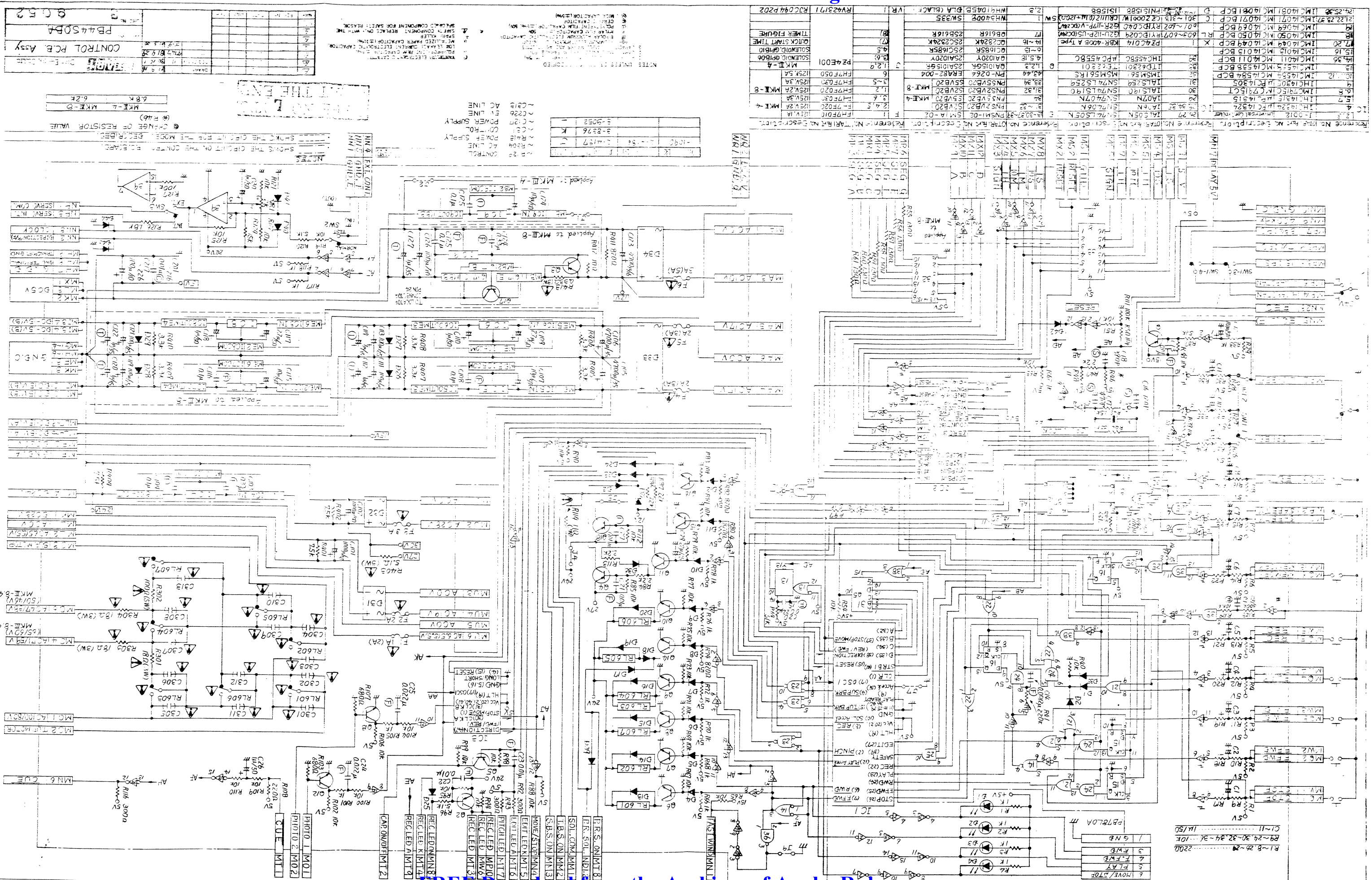


3 2006



Part No.	Quantity	Description
9052	1	CONTROL PCB Assy
PB445DB4	1	PCB BOARD

Part No.	Quantity	Description
MKI-4	6.2K	RESISTOR
MKI-5	6.2K	RESISTOR

NOTES:  
 1. CHECK THE CIRCUIT FOR THE MODE DESCRIBED.  
 2. CHANGE OF RESISTOR VALUE.

REPLACE ELECTRIC COMPONENTS WITH THE SAME TYPE AND SPECIFICATIONS.  
 REPLACE COMPONENTS WITH THE SAME TYPE AND SPECIFICATIONS.  
 REPLACE COMPONENTS WITH THE SAME TYPE AND SPECIFICATIONS.

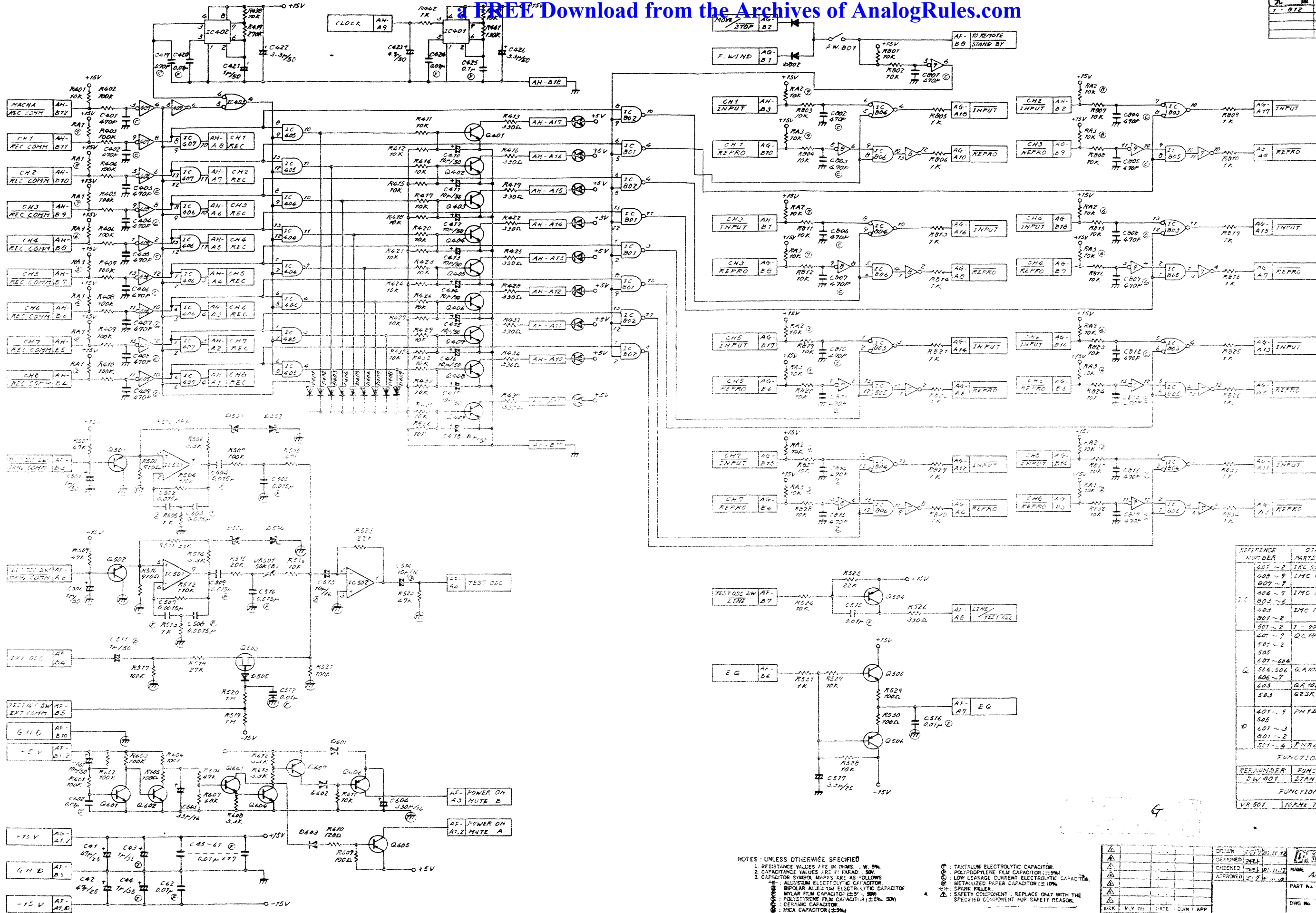
NOTES INVERTED LOGIC IS INDICATED BY A TRIANGLE AT THE INPUT OF THE GATE.  
 LOGIC SYMBOLS ARE SHOWN IN THE CIRCUIT.  
 LOGIC SYMBOLS ARE SHOWN IN THE CIRCUIT.

Part No.	Quantity	Description
IC1	1	7805V
IC2	1	7805V
IC3	1	555
IC4	1	LM339
IC5	1	LM339
IC6	1	7400
IC7	1	7400
IC8	1	7400
IC9	1	7400
IC10	1	7400





先	生	産	図	取	版	図	Y
1-812	2-3372	3-2295	4				
		3-4429	D				
		3-4648	D				
		3-7133	G				



REFERENCE NUMBER	QTY	START PARTS NUMBER	DESCRIPTION
401-2	2	TRC 555 B D	MC 555 B D
408-9	9	IMC 14069	MC 14069 B
606-7	7	IMC 14067	MC 14067 B
603-6	6	IMC 14071	MC 14071 B
001-2	2	1-0001	WIM 4502 B D E
401-9	9	QC 1015 B L	25C 1015 B L
501-2	2		25C 945 C K
505			
601-604		QA 1015 G F	25A 1015 G F
606-7		25A 733 P	25A 733 P
603		QA 1020 Y	25A 1020 Y
503		Q2SK 105 J	25K 105 J
			25K 68 A H
401-9	9	FN 1815 B B	15 1815 B B
505			15 953
601-3			
601-2			
501-4	4	PN 1815 B B	15 1815 B B

FUNCTION OF SWITCH		
REF. NUMBER	FUNCTION	POSITION
SW 001	STAND BY	OFF

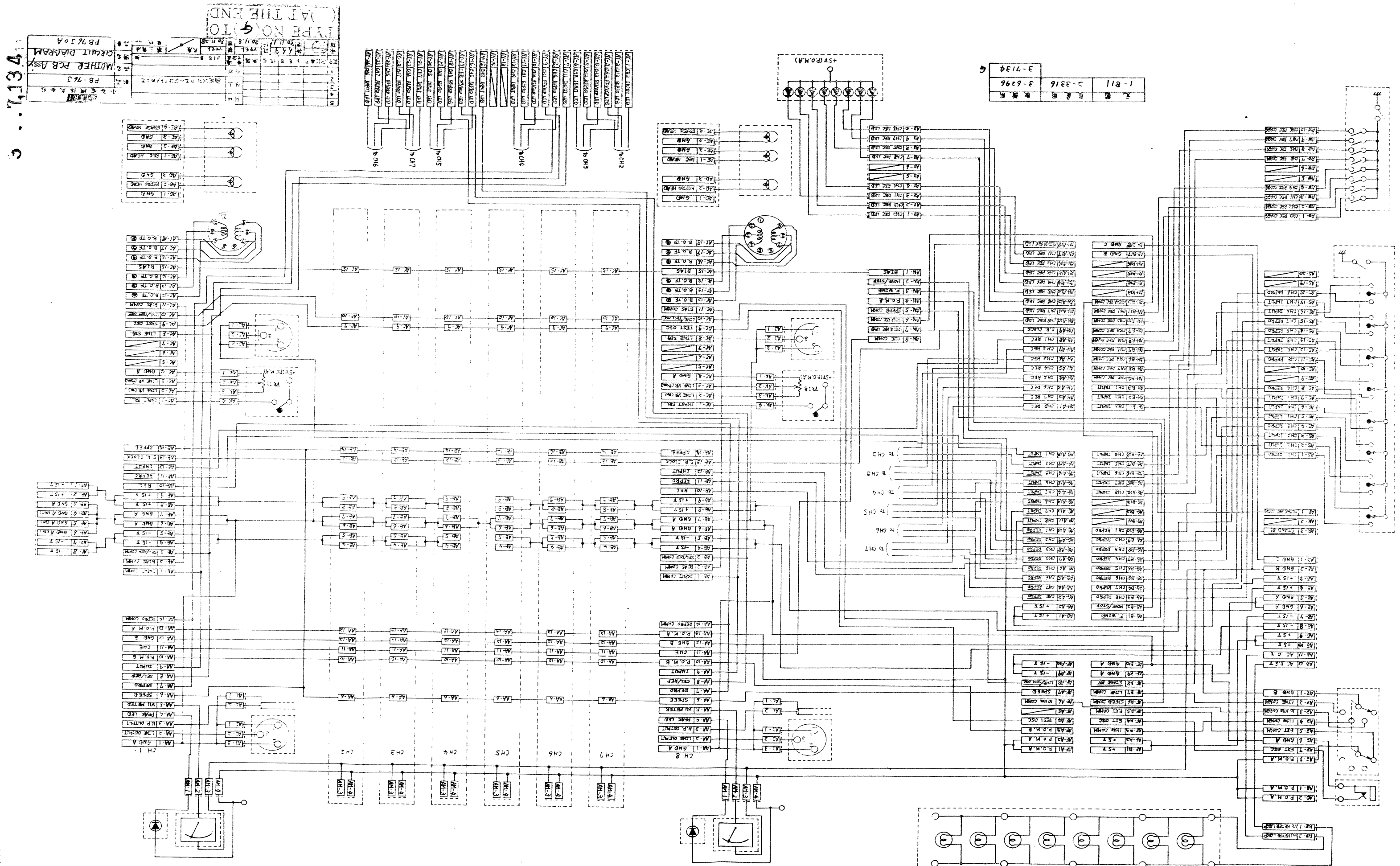
FUNCTION OF POTENTIOMETERS		
VR 501	10K $\Omega$ TEST OSC LEVEL	

NOTES: UNLESS OTHERWISE SPECIFIED  
 1. RESISTANCE VALUES ARE IN OHMS,  $\Omega$ ,  $\text{K}$ ,  $\text{M}$ ,  $\text{G}$ .  
 2. CAPACITANCE VALUES ARE IN FARAD,  $\text{F}$ ,  $\text{pF}$ ,  $\text{nF}$ ,  $\mu\text{F}$ .  
 3. CAPACITOR SYMBOL MARKS ARE AS FOLLOWS:  
 -  $\text{C}$ : CERAMIC CAPACITOR  
 -  $\text{E}$ : ALUMINUM ELECTROLYTIC CAPACITOR  
 -  $\text{G}$ : BIPOLAR ALUMINUM ELECTROLYTIC CAPACITOR  
 -  $\text{H}$ : BIPOLAR FILM CAPACITOR (25%  $\pm$ )  
 -  $\text{I}$ : POLYSTYRENE FILM CAPACITOR (10%  $\pm$ )  
 -  $\text{J}$ : CERAMIC CAPACITOR  
 -  $\text{K}$ : MICA CAPACITOR (10%  $\pm$ )  
 -  $\text{L}$ : TANTALUM ELECTROLYTIC CAPACITOR  
 -  $\text{M}$ : POLYPROPYLENE FILM CAPACITOR (10%  $\pm$ )  
 -  $\text{N}$ : LOW LEAKAGE CURRENT ELECTROLYTIC CAPACITOR  
 -  $\text{O}$ : METALLIZED PAPER CAPACITOR (10%  $\pm$ )  
 -  $\text{P}$ : SPARK KILLER  
 -  $\text{S}$ : SAFETY COMPONENT, REPLACE ONLY WITH THE SPECIFIED COMPONENT FOR SAFETY REASON

DESIGNED	DATE	BY	DATE	BY
CHECKED	DATE	BY	DATE	BY
APPROVED	DATE	BY	DATE	BY

NAME: AMP CONTROL PCB Assy  
 PART No: PB4550A  
 DRG No: 1-812

3.7133-012



TYPE NO. (9) TO ( ) AT THE END

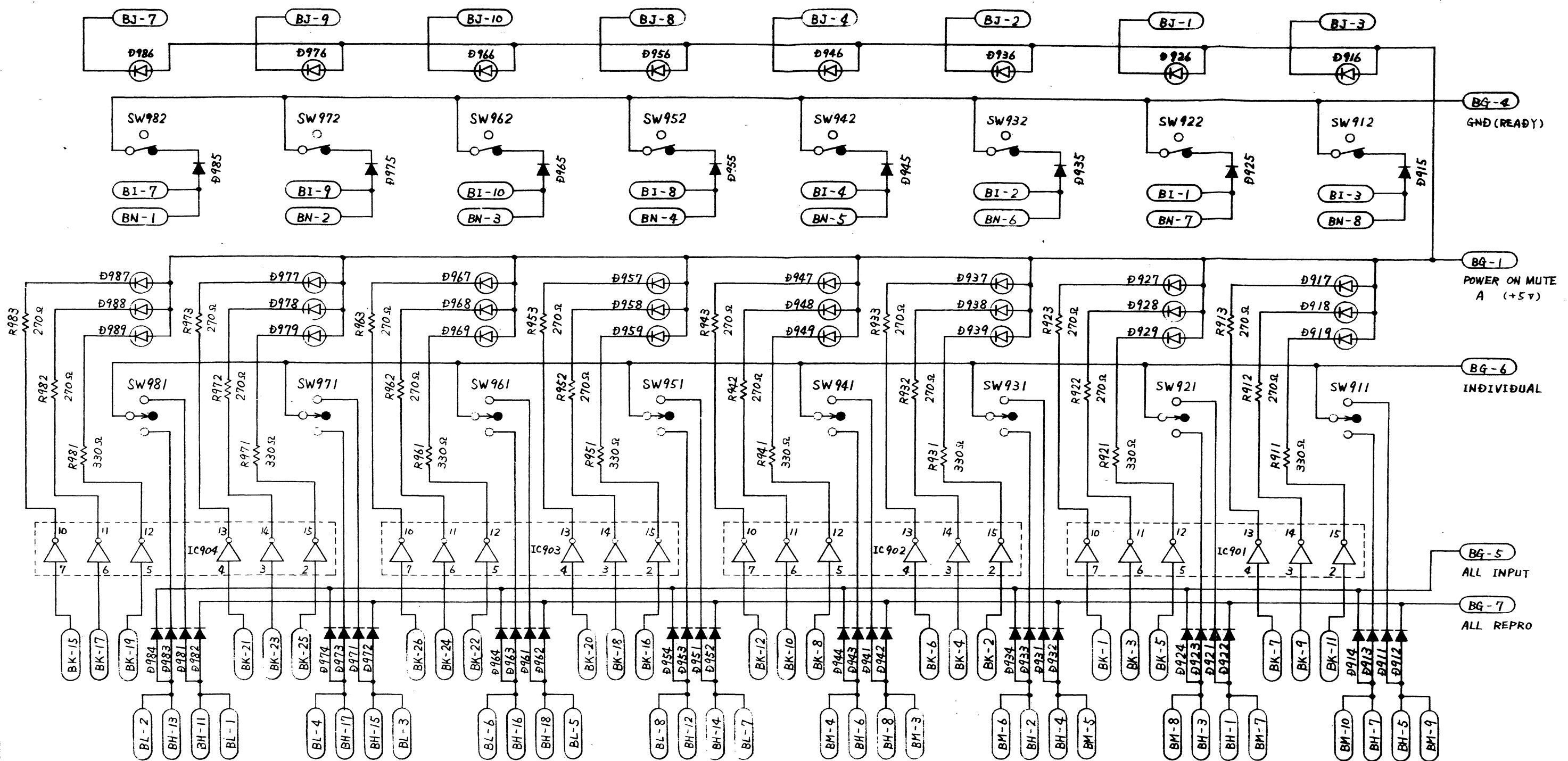
MOTHER PCB Assy

PB-763

1. 2. 3. 4. 5. 6. 7. 8. 9. 10. 11. 12. 13. 14. 15. 16. 17. 18. 19. 20. 21. 22. 23. 24. 25. 26. 27. 28. 29. 30. 31. 32. 33. 34. 35. 36. 37. 38. 39. 40. 41. 42. 43. 44. 45. 46. 47. 48. 49. 50. 51. 52. 53. 54. 55. 56. 57. 58. 59. 60. 61. 62. 63. 64. 65. 66. 67. 68. 69. 70. 71. 72. 73. 74. 75. 76. 77. 78. 79. 80. 81. 82. 83. 84. 85. 86. 87. 88. 89. 90. 91. 92. 93. 94. 95. 96. 97. 98. 99. 100.

3...7,134

|       |        |        |        |
|-------|--------|--------|--------|
| 1-811 | 2-3316 | 3-6296 | 3-7139 |
| 元     | 片      | 用      | 取      |



- BN-10 — BF-1 GND (COMMAND)
  - BN-11 — BF-2 POWER ON MUTE A (+5V)
  - BN-13 — BF-3 +20V (UNREG)
  - BN-14 — BF-4 GND (UNREG)
  - BN-12 — BQ-2.3 GND
- to IC

| Reference Number | OTARI Parts Number | Description |
|------------------|--------------------|-------------|
| IC               | 901 ~ 4            | MS4533P     |
| D                | 901 ~ 5            | PN1S1588    |
|                  | 906                | PNTLR124    |
|                  | 907                | PNTLY124    |
|                  | 908                | PNTLG124    |
|                  | 909                | PNTLO124    |

| Function of Switch |                     |                |
|--------------------|---------------------|----------------|
| Reference Number   | Function            | Position       |
| SW 901             | Monitor Mode Select | Normal SEL/REP |
| SW 902             | Record Select       | Normal Ready   |

TYPE NO. (A) TO (AT THE END)  
2-3280 3-6297 3-6298

|          |      |                |                          |
|----------|------|----------------|--------------------------|
| 5        | 材料   |                | OTARI                    |
| 4        | 仕上   | 指定以外のエッジはイメのこと | 小谷電機株式会社                 |
| 3        | 処理   |                | 形式 PB-45H                |
| 2        | 管理   |                | 品名 MODE CONTROL PCB Assy |
| 1        | 検査   |                | 図名 CIRCUIT DIAGRAM       |
| 記号       | 改訂番号 | 年月日            | 担当者                      |
| 承認       | 検査   | 設計             | 製作                       |
| 80.12.19 | 計    | 80.10.13       | 80.12.16                 |
| 第三角法     | 単位   | 品番             | PB45H0A                  |