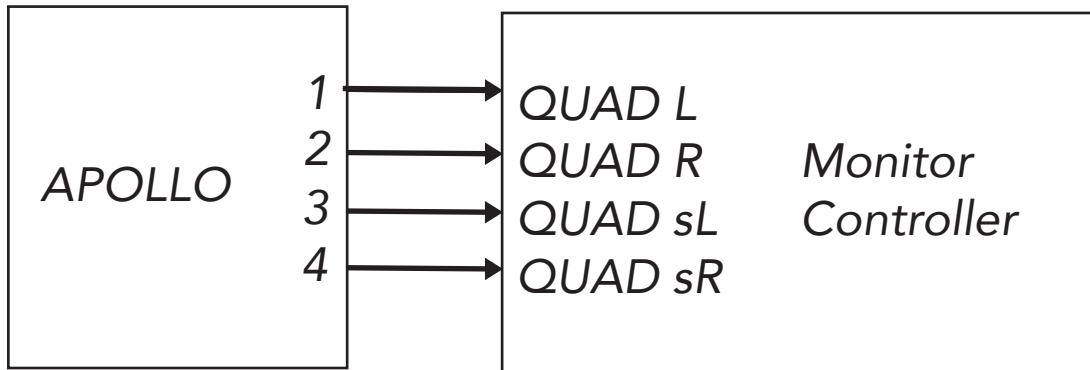


# 346 Surround Sound Setup

*PATCH APOLLO OUTS 1-4 to QUAD inputs L, R, sL, SR*



## Ableton Surround Panner (Max 4 Live)

Insert the Surround Panner on your Live track.

Turn the Master track volume off! We will not use the Master output!



Choose 1/2 and 3/4 as outputs