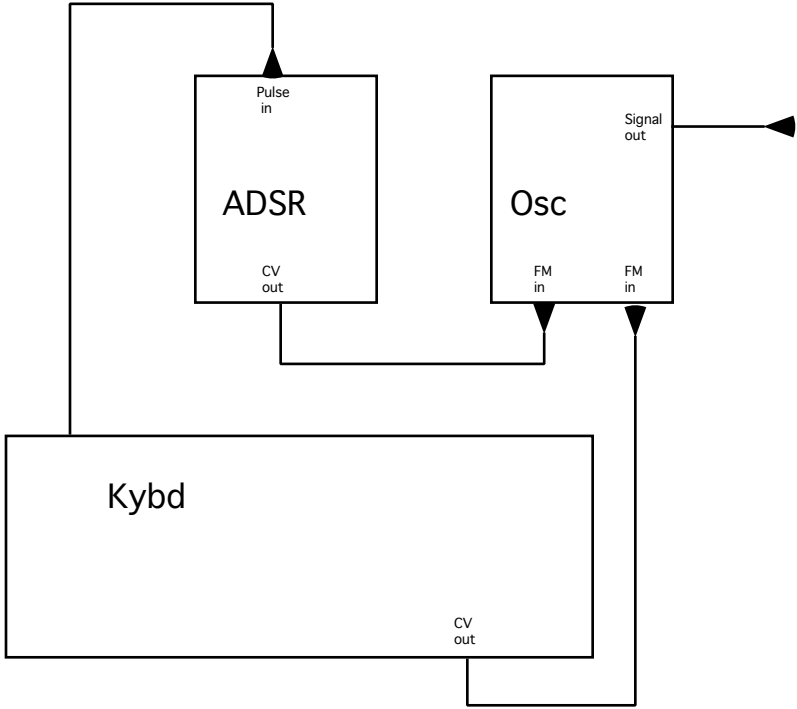
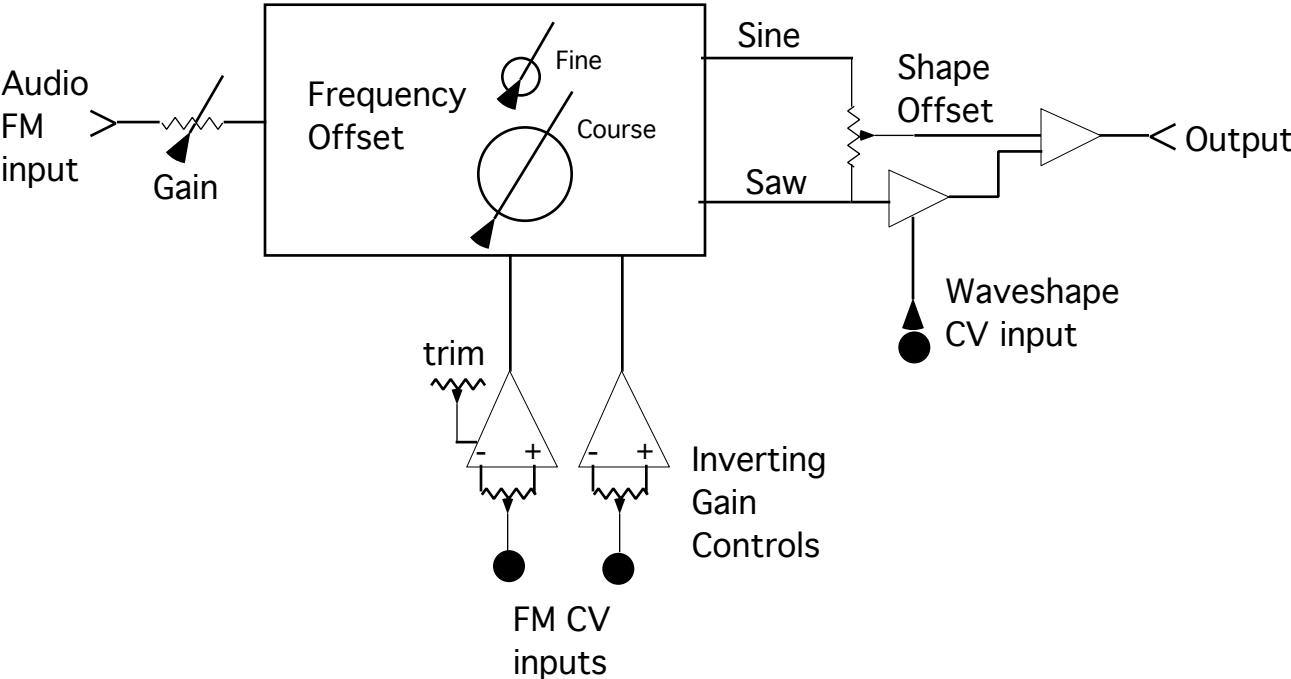


The 281 Dual oscillator consists of two separate oscillators with audio and CV FM inputs, and a wave shape CV input. One of the two FM CV inputs has a trim control for fine tracking. The upper oscillator changes from sine to saw output, the lower from sine to square.



ADSR starwars zapgun with pitchcontrol